



Volga-Tools

TLT EQUIPMENT, LLC

GENERAL EXPLANATORY NOTE

Book 1. Paragraph 1.

Composed by _____ / _____ /

Checked by _____ / _____ /

Not for public use

Copy # _____

Tolyatti, 2016

Перв. примен.

Справ. №

Подп. и дата

Инв. № дубл.

Взам. инв. №

Подп. и дата

Инв. № подл.

1. ABOUT US

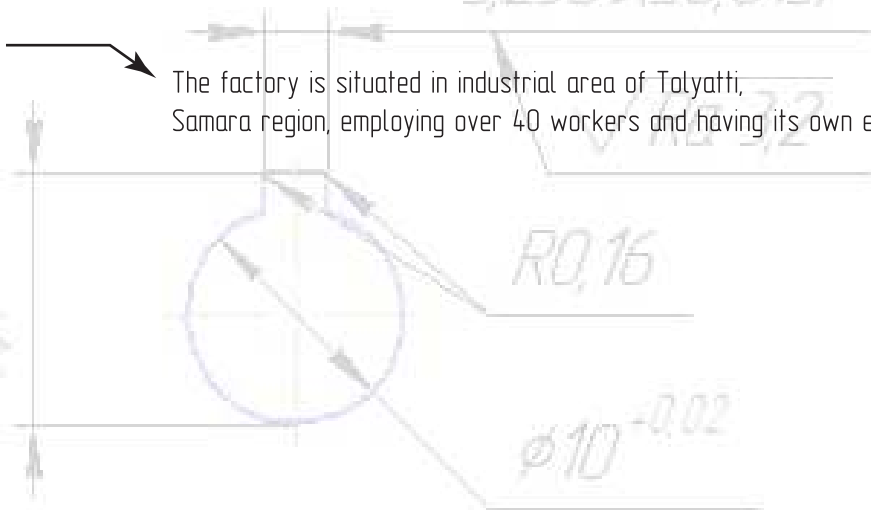
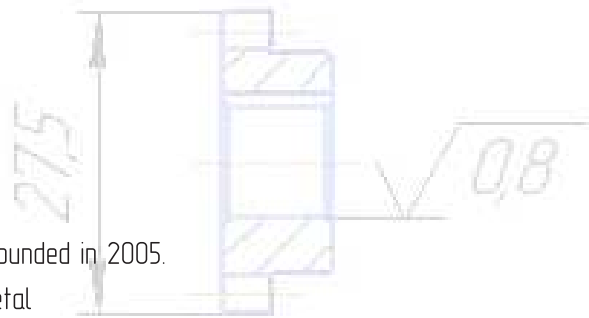
The company «TLT EQUIPMENT» was founded in 2005.
The company specializes in mechanical metal working and metal products fabrication.

Our main articles are metal-cutting equipment, die tools, technical equipment dressing for customers' manufacturing process. Our products are made from both imported and homemade top-grade tool steels.

The company offers its clients not only fabrication of standard articles but solutions for unconventional production tasks as well.

Articles and services of our company are used in machinery, metalprocessing, mechanical manufacture and related spheres.

The factory is situated in industrial area of Tolyatti, Samara region, employing over 40 workers and having its own equipment.

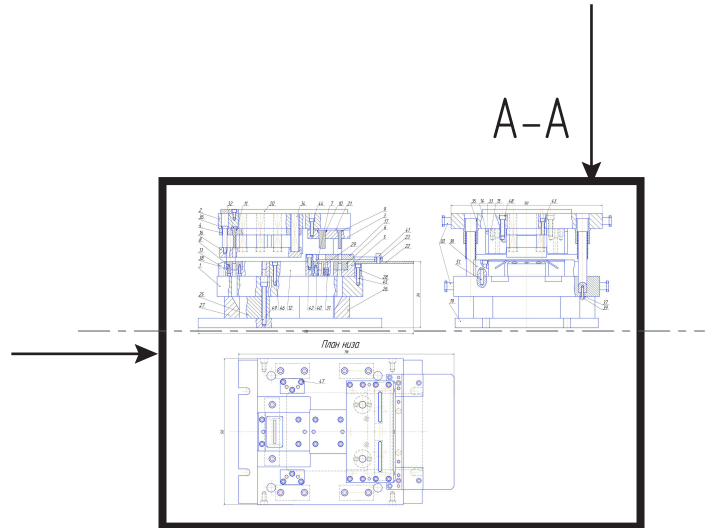


Изм.	Лист	№ докум.	Подп.	Дата	Лист	Масса	Масштаб
Разраб.		Иванов И.И.					1:1
Пров.		Петров А.В.					
Т.контр.		Петров А.В.			Лист	Листов	5
Н.контр.		Петров А.В.					
Утв.							

2. OUR SERVICES

2.1 PRODUCTS

Technical dressing
Die tools
Press tools
Polymer shredder machines
Metal constructions

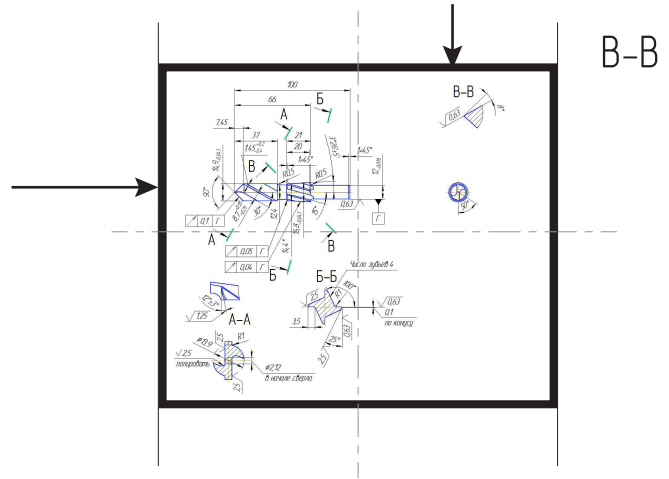


2.2 CUTTING TOOLS

Drills
Reamers
Bores

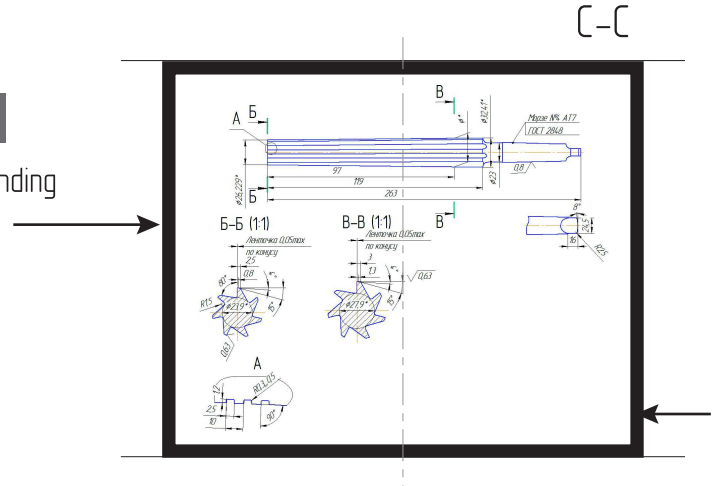
TAPPING TOOLS

Vertical drills
Thread rolls
Milling cutters
Scraping-out cutters
Crasher knives



2.3 REGRINDING

Compound section tools regrinding
Worn tools regrinding
Titanium-spray coating



Изм.	Лист	№ докум.	Подп.	Дата
Разраб.		Иванов И.И.		
Пров.		Петров А.В.		
Т.контр.		Петров А.В.		
Н.контр.		Петров А.В.		
Утв.				

Лист	Масса	Масштаб
		1:1
Лист	Листов	5

Перв. примен.

Стр. №

Подп. и дата

Инв. № дубл.

Взам. инв. №

Подп. и дата

Инв. № подл.

Перв. примен.

Стр. №

Подп. и дата

Инв. № дубл.

Взам. инв. №

Подп. и дата

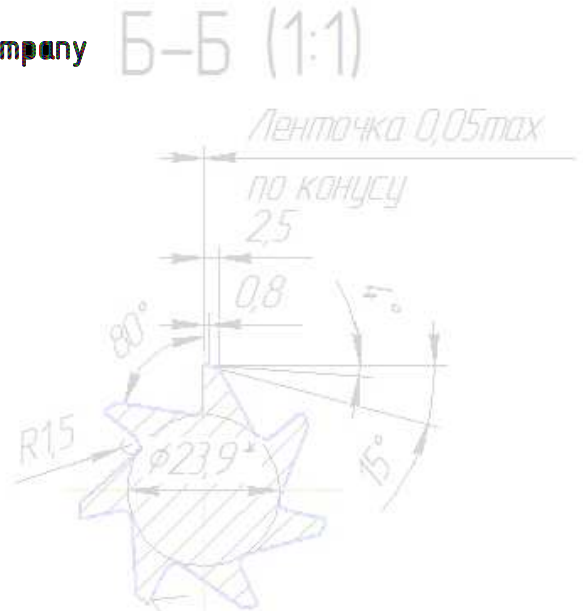
Инв. № подл.

3. TYPES OF WORK AND EQUIPMENT

The company has a number of equipment and machineries to conduct a wide variety of technical operations

Machine types of TLT EQUIPMENT company

Regular turning lathes
 CNC lathes
 Regular milling machines
 CNC milling machines
 Orbital grinders
 Circular grinders
 Erosion machines
 Band saw machines
 Sharpening machines



В-В

OUR EQUIPMENT ALLOWS WORKS IN THE FOLLOWING DIMENSIONS

- Lathe works with details from 2 to 600 mm in diameter and from 1 to 4000 mm in length
- Milling works up to 700 mm wide and up to 1500 mm in length
- Circular grinding works from 2 to 310 mm in diameter and up to 1500 mm in length
- Sharpening of knives, rotary cutting tools, scraping-out cutters
- Cut up to 280 mm
- Orbital grinding up to 500 mm in width and up to 1200 mm in length

Изм.	Лист	№ докум.	Подп.	Дата	Лист	Масса	Масштаб
Разраб.		Иванов И.И.					1:1
Проб.		Петров А.В.					
Т.контр.		Петров А.В.			Лист	Листов	5
И.контр.		Петров А.В.					
Утв.							

Б-Б (1:1)

Ленточка 0,05max

по конусу

25

0,8

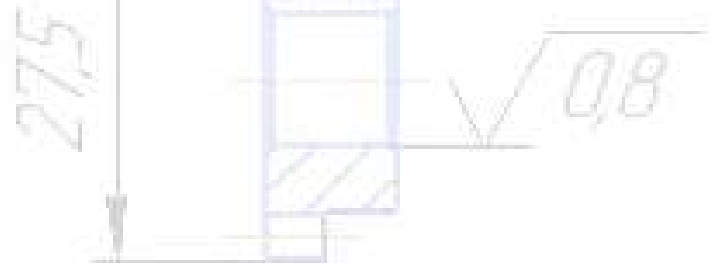
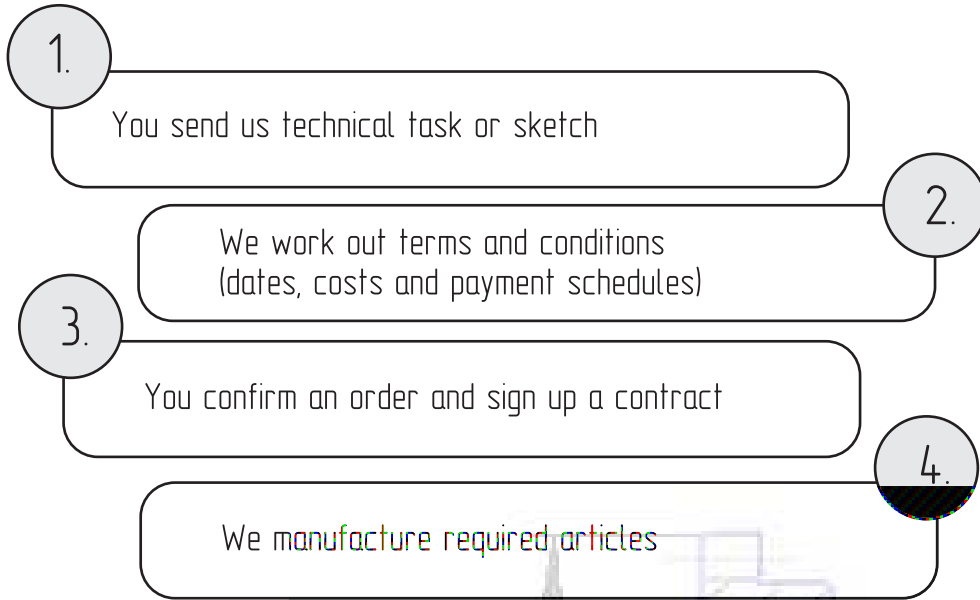
5



4. ALL THAT'S DIFFICULT IS SIMPLE

We project sketches of cutting tools, machine dressing, die tools on client's request according to our technical capabilities

"TLT EQUIPMENT" TYPICAL WORKING PROCEDURE WITH CLIENTS



Изм.	Лист	№ докум.	Подп.	Дата
Разраб.		Иванов И.И.		
Проб.		Петров А.В.		
Т.контр.		Петров А.В.		
Н.контр.		Петров А.В.		
Утв.				

Лист	Масса	Масштаб
		1:1
Лист	Листов	5

5. OUR CLIENTS AND PARTNERS

"TLT EQUIPMENT" partners include such companies as:

ZAO "VAZINTERSERVIS" (Tolyatti)

ZAO "POLAD" (Tolyatti)

ZAO "KARDAN" (Syzran')

ZAO "TZA" (Tolyatti)

ZAO "MOTOR-SUPER" (Tolyatti)

ZAO "KEDR" (Miass)

ZAO "AUTOMET" (Samara)

OOO "SOEZ-AUTODETAL" (Samara)

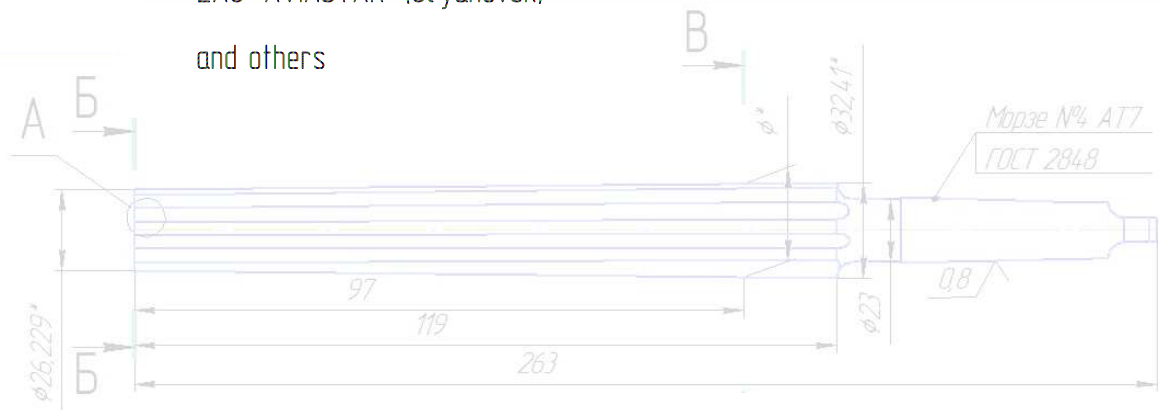
OAO "CHRZ" (Chelyabinsk)

ZAO "YAZDA" (Yaroslavl)

ZAO "UMZ" (Ul'yanovsk)

ZAO "AVIASTAR" (Ul'yanovsk)

and others



Изм.	Лист	№ докум.	Подп.	Дата	Лист	Масса	Масштаб
Разраб.		Иванов И.И.					1:1
Проб.		Петров А.В.					
Т.контр.		Петров А.В.			Лист	Листов	5
Н.контр.		Петров А.В.					
Утв.							

Contacts:

Tolyatti, ulitsa Kommunal'naya, 39 - 291

Phone number

007 8482 75-82-25

Лит. *Магца* *Магцимад*

1:1

Луст *Лустоб* *5*

volgatools.ru